

## Through Hole Shielded Inductors - RDS1008D SERIES



### FEATURES

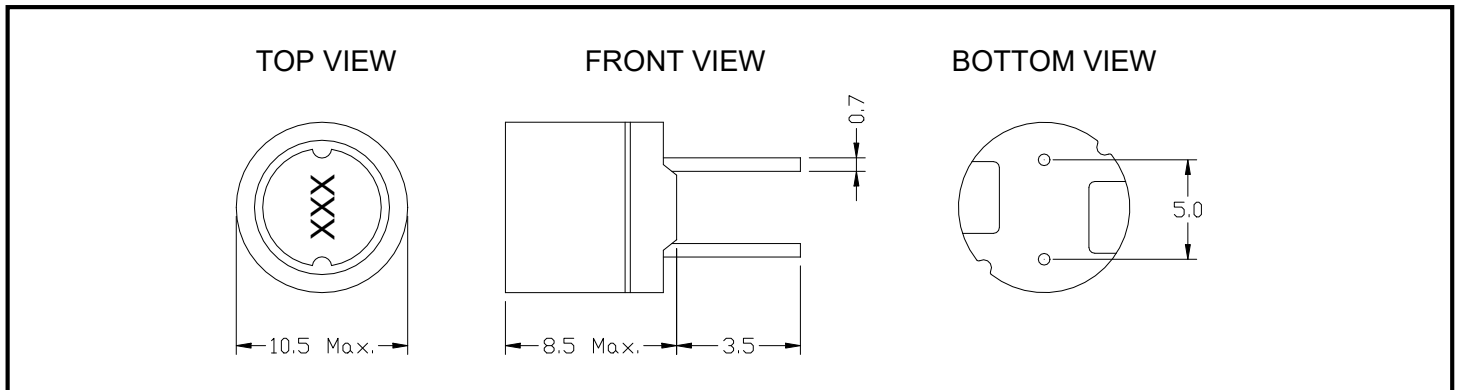
- Magnetically shielded construction and low leakage flux type .
- Lead free and RoHS compliant
- Ideal for use as an inductor for high current power supplies in all types of electronic instruments .

### PART NUMBERING SYSTEM

<b>RDS</b>	<b>1008D</b>	—	<b>681L</b>	<b>LF</b>
TYPE	DIMENSIONS		INDUCTANCE	LEAD FREE

### SHAPES AND DIMENSIONS

UNIT : mm





## Through Hole Shielded Inductors - RDS1008D SERIES



### SPECIFICATION TABLE

PART NUMBER	INDUCTANCE ( $\mu$ H)	DCR ( $\Omega$ ) (Max.)	IDC ( A ) (Max.)	TEST FREQ. ( f )
RDS1008D-1R0N-LF	1.0 $\pm$ 30%	6.5m	9.15	7.96MHz
RDS1008D-1R5N-LF	1.5 $\pm$ 30%	8.5m	7.14	7.96MHz
RDS1008D-2R2N-LF	2.2 $\pm$ 30%	9.5m	6.05	7.96MHz
RDS1008D-3R3N-LF	3.3 $\pm$ 30%	13.5m	4.90	7.96MHz
RDS1008D-4R3N-LF	4.3 $\pm$ 30%	14.5m	4.25	7.96MHz
RDS1008D-5R6N-LF	5.6 $\pm$ 30%	18.5m	3.65	7.96MHz
RDS1008D-6R8N-LF	6.8 $\pm$ 30%	20.0m	3.40	7.96MHz
RDS1008D-8R2N-LF	8.2 $\pm$ 30%	20.5m	3.00	7.96MHz
RDS1008D-100M-LF	10 $\pm$ 20%	0.05	2.80	1KHz
RDS1008D-120M-LF	12 $\pm$ 20%	0.06	2.50	1KHz
RDS1008D-150M-LF	15 $\pm$ 20%	0.07	2.30	1KHz
RDS1008D-180M-LF	18 $\pm$ 20%	0.08	2.10	1KHz
RDS1008D-220M-LF	22 $\pm$ 20%	0.09	2.00	1KHz
RDS1008D-270M-LF	27 $\pm$ 20%	0.10	1.76	1KHz
RDS1008D-330M-LF	33 $\pm$ 20%	0.11	1.60	1KHz
RDS1008D-390M-LF	39 $\pm$ 20%	0.12	1.38	1KHz
RDS1008D-470M-LF	47 $\pm$ 20%	0.14	1.28	1KHz
RDS1008D-560L-LF	56 $\pm$ 15%	0.15	1.20	1KHz
RDS1008D-680L-LF	68 $\pm$ 15%	0.16	1.00	1KHz
RDS1008D-820L-LF	82 $\pm$ 15%	0.18	0.96	1KHz
RDS1008D-101L-LF	100 $\pm$ 15%	0.20	0.92	1KHz
RDS1008D-121L-LF	120 $\pm$ 15%	0.24	0.80	1KHz
RDS1008D-151L-LF	150 $\pm$ 15%	0.35	0.73	1KHz
RDS1008D-181L-LF	180 $\pm$ 15%	0.40	0.64	1KHz
RDS1008D-221L-LF	220 $\pm$ 15%	0.54	0.61	1KHz
RDS1008D-271L-LF	270 $\pm$ 15%	0.76	0.56	1KHz
RDS1008D-331L-LF	330 $\pm$ 15%	0.86	0.50	1KHz
RDS1008D-391L-LF	390 $\pm$ 15%	0.93	0.44	1KHz
RDS1008D-471L-LF	470 $\pm$ 15%	1.23	0.41	1KHz
RDS1008D-561L-LF	560 $\pm$ 15%	1.34	0.38	1KHz
RDS1008D-681L-LF	680 $\pm$ 15%	1.53	0.34	1KHz
RDS1008D-821L-LF	820 $\pm$ 15%	2.10	0.32	1KHz
RDS1008D-102L-LF	1000 $\pm$ 15%	2.30	0.28	1KHz

- Inductors tolerance L= $\pm$ 15% ; M= $\pm$ 20% ; N= $\pm$ 30%.
- DC current at which the inductance drops 10% (typ) from its value without current.
- Operating temperature range -25 $^{\circ}$ C to +105 $^{\circ}$ C . Electrical specifications at 20 $^{\circ}$ C .